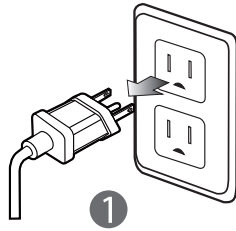


Installation Guide [How to replace new filter]

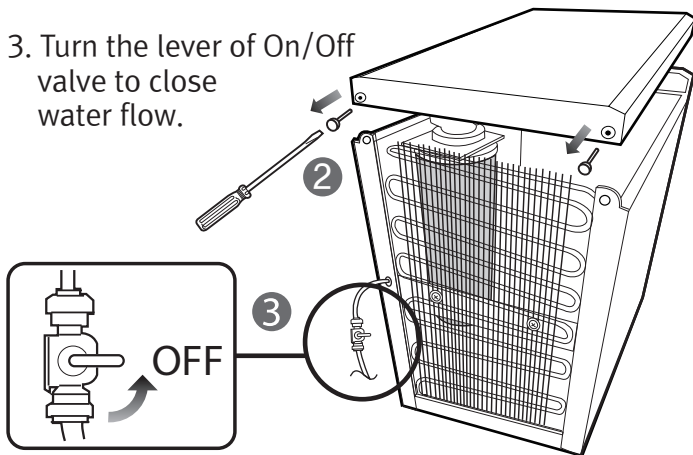
SD19A0 (1PH)

1. Unplug power cord.



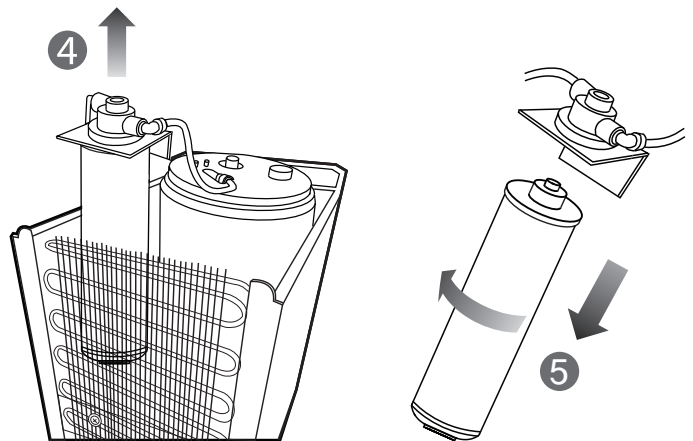
2. Remove the two screws located at the back of the top cover. Then, lift the top cover up.

3. Turn the lever of On/Off valve to close water flow.

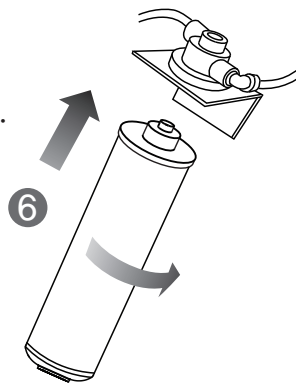


4. Lift old filter up.

5. Twist the filter to the left and pull it down to take apart from filter head. Place the towel under the filter to catch excess water that drips out from the filter during the changeover.

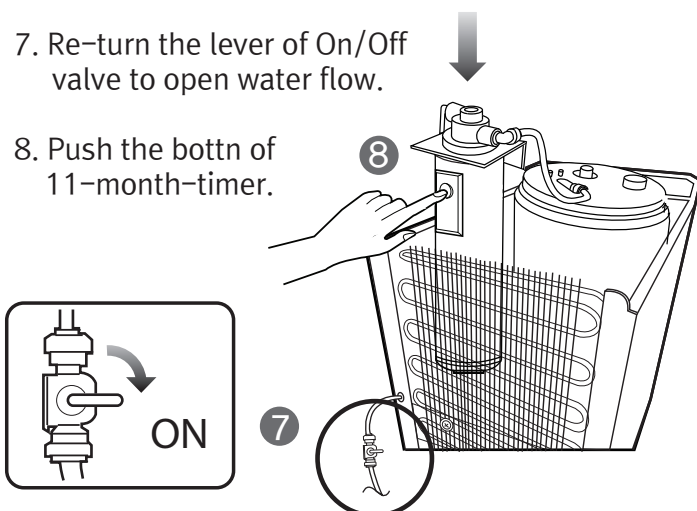


6. Put new filter at the filter head and turn it to the right.



7. Re-turn the lever of On/Off valve to open water flow.

8. Push the bottm of 11-month-timer.



9. Re-assemble the top cover by screwing at the back of the top cover.

